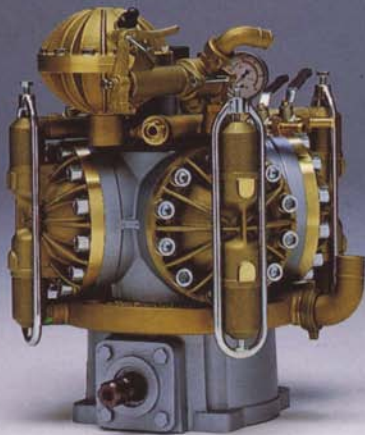


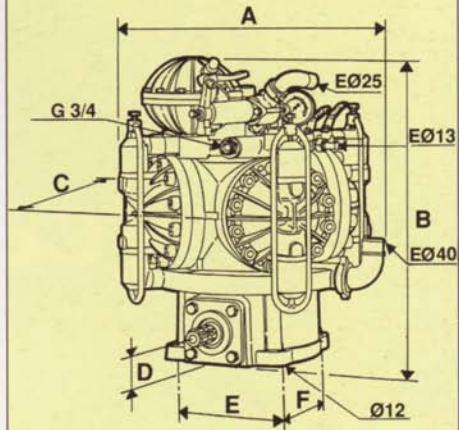
Pompa tipo <i>Type pump</i> Pompe type <i>Typ Pumpe</i> Bomba tipo	N. memb. <i>No memb.</i> N. memb. <i>N. Memb.</i> N. memb.	Port. nomin.-Delivery <i>Port nomin.-Nom. Trag.</i> Capacidad nominal		Press.-Press. <i>Press.-Druck</i> Presión		Pot. ass.-Pow. abs. <i>Puis. abs.-Abs. Leis.</i> Potencia absor.		Giri/1' <i>RPM</i> Tour <i>U.Min.</i> V./m.	Dimensioni-Dimensions <i>Dimension-Dimensionen</i> Dimensión						Peso-Weight <i>Poids-Gewicht</i> Peso	
		l/min	US gallon	bar	P.S.I.	CV	kW		A	B	C	D	E	F	Kg	lb
CP 143	3	140	37,1	60	870	21,7	16	550-630	520	570	430	63	203	203	119	261,8
CP 184	4	180	47,7	60	870	28,5	21	550-630	480	570	484	63	203	203	131	288,2



CP 143 «Serie Professional»



CP 184 «Serie Professional»



*The pumps in the «Professional» series have been specifically designed for spray treatments over medium and large crop areas. They can be fitted to both towed and mounted sprinklers, sprayers and large-scale horizontal bar systems. The diaphragm spray pumps manufactured by **CATERINPOMPE snc** are highly reliable and long-lasting thanks to their features. The external manifolds can be easily inspected. Pumping is extremely regular, while the mechanisms are installed in oil baths. Rust resistance is at maximum levels thanks to the use of brass and stainless steel for those parts in contact with the liquid. The regulation valve is semi-automatic. **Available versions:** - 1"3/8M and 1"3/8M through shaft - 1"3/8M cardan shaft - With 2200 rpm and Ø30 mm parallel shaft.*