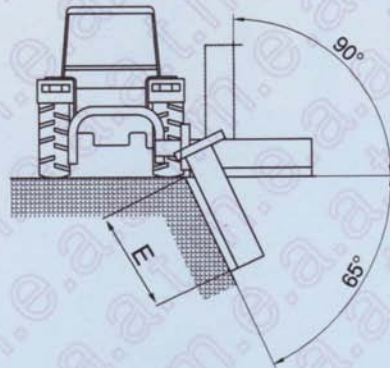
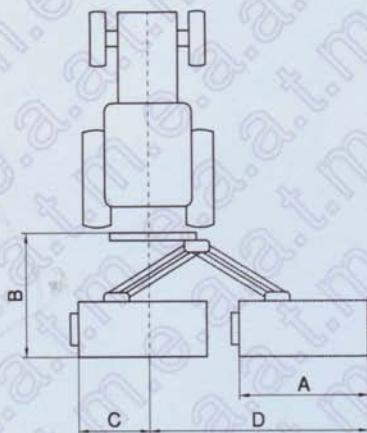




TPLI



The TPLI model is equipped with hammer (or, alternatively, universal blades) and is ideal for banks, lanes, embankments as well as pruning and harvest residues. Features: wide area of inclination, low power absorption, high productivity, mechanical safety device, oversized three-point hitch and drive. Accessories: floating hitching frame, stop-valves kit, wide-angle PTO shaft. Also available with rear adjustable door (TPLI.A model).



Modello Model Modèle Typ Modelo	A cm.	B cm.	C cm.	D cm.	E cm.	HP HP CV PS CV	Peso Weight Poids Gewicht Peso
<i>TPLI - 140</i>	140	180	75	215	120	40 – 45	490
<i>TPLI - 160</i>	160	180	75	235	140	50 – 60	510
<i>TPLI - 180</i>	180	180	75	255	160	65 – 75	570
<i>TPLI - 200</i>	200	180	75	275	180	80 – 100	630