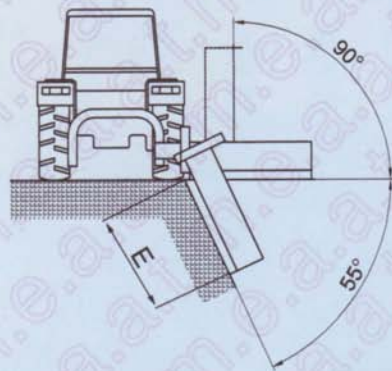
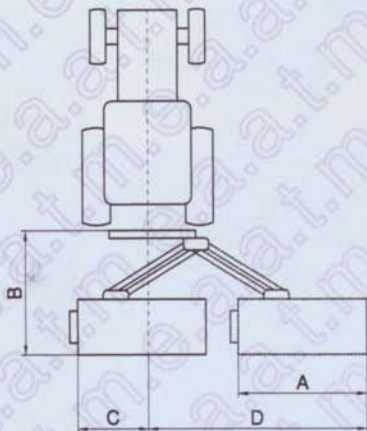




The TLL model can be used with tractors with medium and low horsepower. It is equipped with hammers and is ideal for banks, lanes, embankments as well as little pruning and grass. Features: wide area of inclination, low power absorption, high productivity, safety mechanism, oversized three-point hitch and drive, stop-valves kit.

Accessories: wide-angle PTO shaft.



Modello
Model
Modèle
Typ
Modelo

A
cm.

B
cm.

C
cm.

D
cm.

E
cm.

HP
HP
CV
PS
CV

Peso
Weight
Poids
Gewicht
Peso

TLL - 135

135

130

65

180

115

25 - 30

260

TLL - 155

155

130

65

200

135

30 - 45

280